

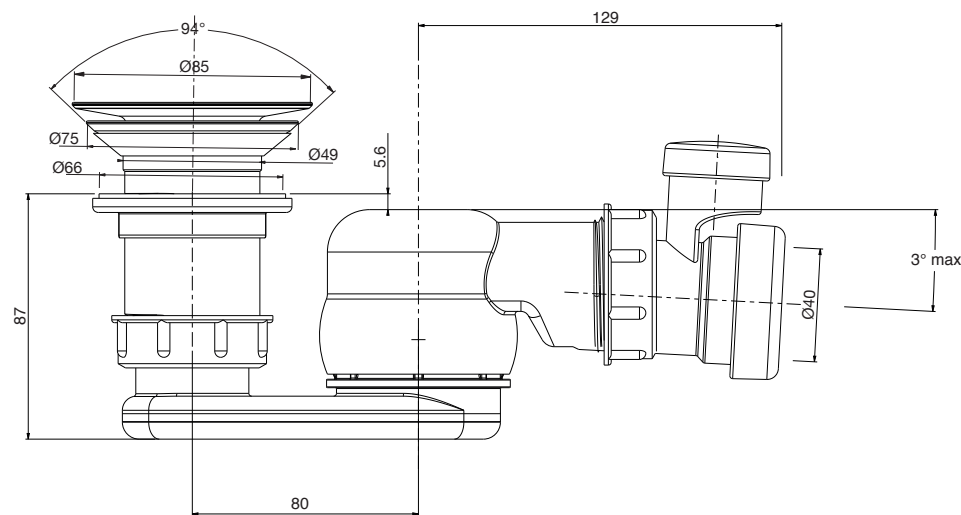
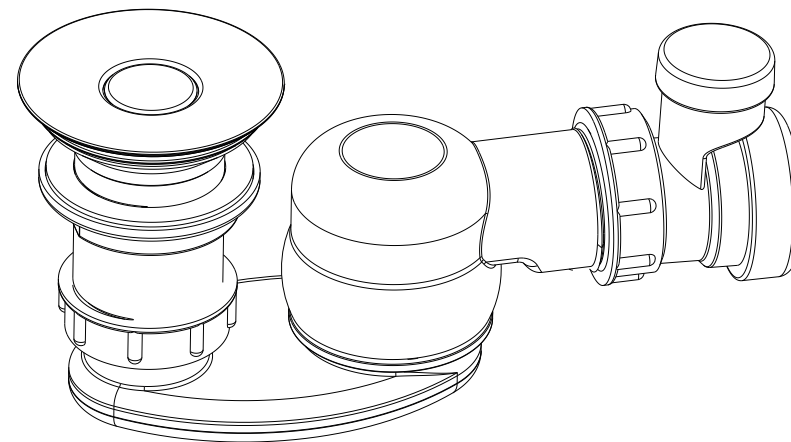
Address
 Bathroom Brands
 Lake View House
 Rennie Drive
 Dartford
 United Kingdom
 DA1 5FU

info@bathroombrands.com

09/2019 rev.3 AT21551A01

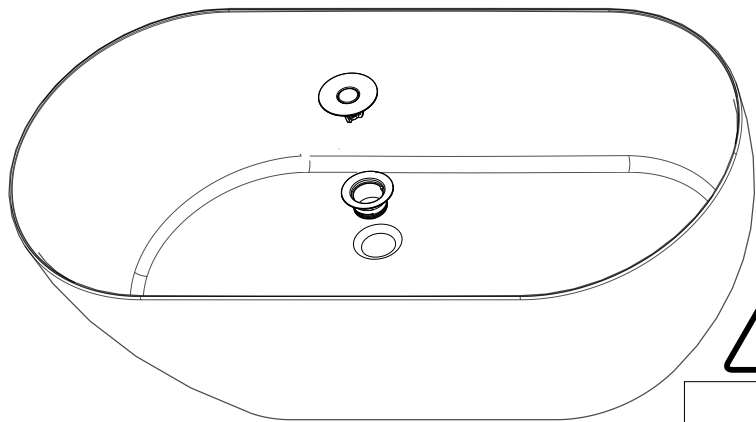
By law n. 166/2009 - As by law enacted we state that some components of this product are imported from extra-EU countries. Tested, assembled and inspected inside our factory.

C L E A R W A T E R

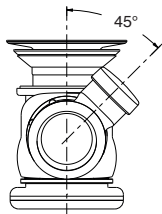


Installation notes

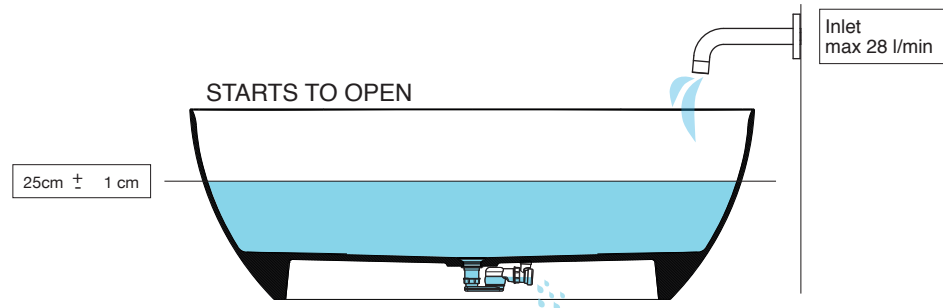
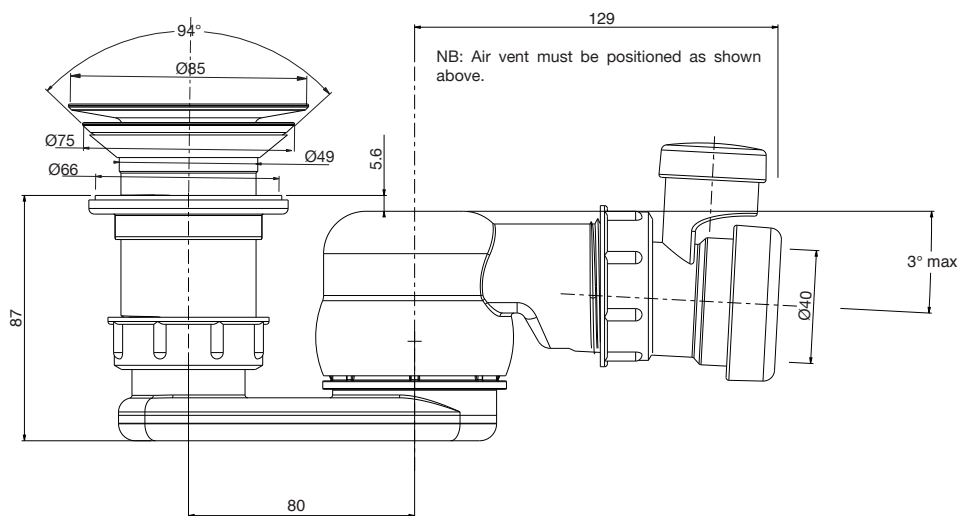
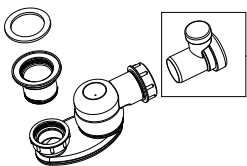
- Ensure the air vent is installed at the top of the waste outlet as shown below.
- If temperatures fall below 0 C protect from frost.
- Only use potable mains water, and in particular avoid salt water or water containing contaminants such as sand or grit.
- Any alterations or modifications to the product will void the warranty
- Do not use any cleaning products containing solvents, acid or alkaline corrosive substances.
- Abrasive sponges or metallic scouring pads should not be used as these could damage the treated surfaces.
- A small amount of water may continue to drain from the waste during the opening and closing process when the water level is below the 25cm depth.
- Any use which fails to comply with the installation notes will void the manufacturer's warranty and liability.



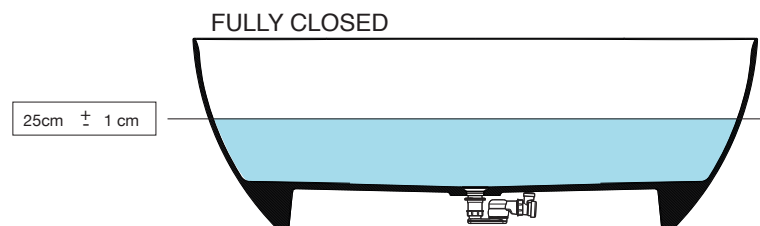
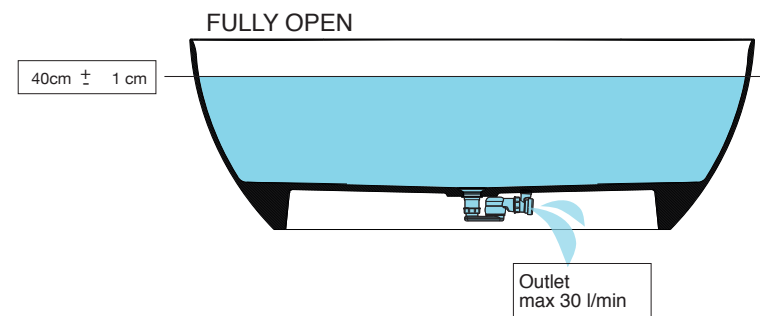
! IMPORTANT



NB: make sure the air-vent is positioned at 45 degrees maximum



At a depth of 25 cm the Smartwaste gradually starts to open, until the waste fully opens above a depth of 36 cm.



The drain is fully open when the water level is above 36 cm. The Smartwaste will automatically close when the water level drops below 25cm.